

AVALON SETTING



Metal Art Limited
Street & Park Furniture

DESCRIPTION

A 4 slat table combined with two x 3 slat bench seats to create a functional picnic setting.

The Avalon uses durable recycled plastic slats as standard, on a robust galvanised support frame available powder coated in any standard colour. Optional fixing method.

SLAT DIMENSIONS/SEAT LENGTH

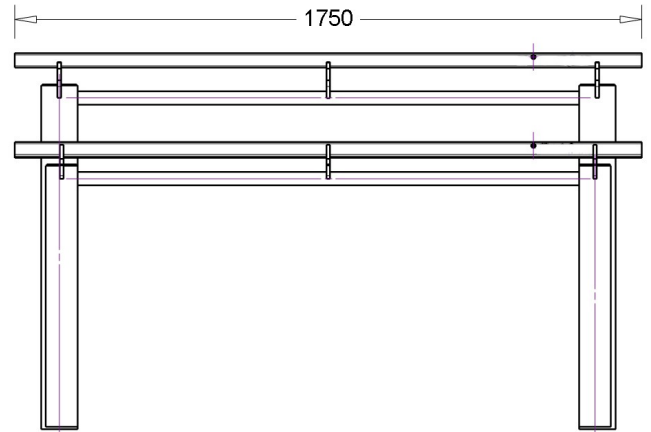
Seat slat section: 90 x 40mm
Table slat section: 200 x 40mm
Length: 1750mm

SLAT MATERIAL

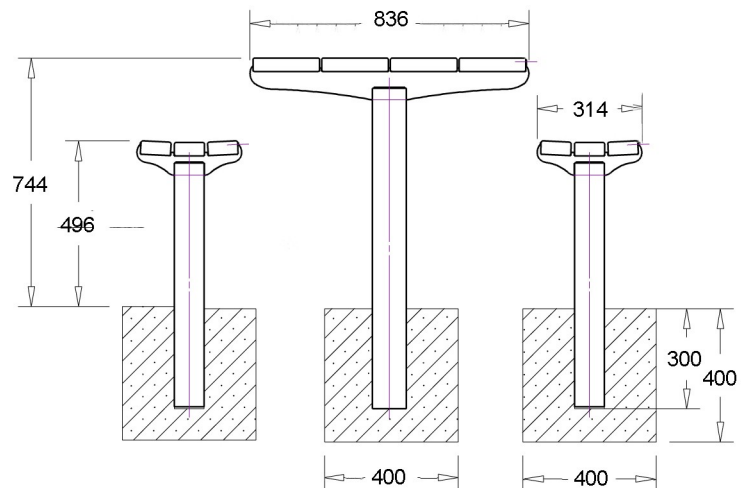
- Timber oiled
(Eucalyptus Saligna)
- Timber mahogany stained
(Eucalyptus Saligna)
- 100% recycled plastic
 - Green
 - Grey
 - Brown
 - Blue

MOUNTING

- Surface fixed
- In ground fixed



Side view, in ground fixed



End view, in ground fixed



Metal Art Ltd

51 Port Road, Seaview
Wellington, New Zealand
Ph +64 4 939-6666
Fax +64 4 939-6696
info@metalart.co.nz
www.metalart.co.nz