

PARKLANDS SEAT



Metal Art Limited

Street & Park Furniture

DESCRIPTION

A park seat designed for tight budgets and built to take the knocks with easy maintenance, uncomplicated yet robust and practical to suit any open-space park or reserve setting.

SLATS

8 x 1800 mm x 90 mm x 70 mm H4 radiata pine dressed.

Available natural wood or stained finish.

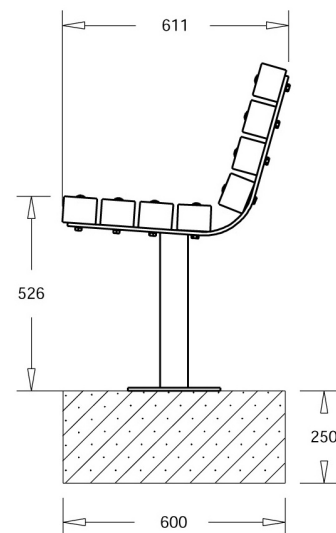
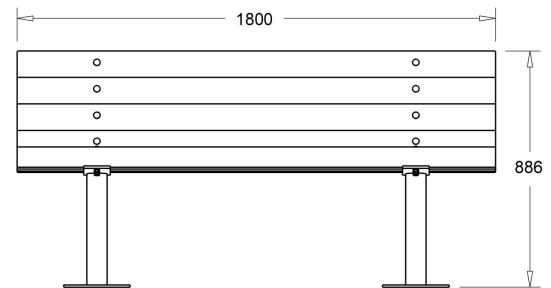
FRAME

2 x 76 mm diameter galv. pipe legs with 8 mm mounting flanges.
2 x 100 x 10 mm galv. mild steel slat supports.

Finish powder coated to colour of choice.

MOUNTING

- In-ground fixed
- Surface fixed



Surface fixed

Also available in-ground fixed into 400 x 400 concrete block



Metal Art Ltd

51 Port Road, Seaview
Wellington, New Zealand
Ph +64 4 939-6666
Fax +64 4 9396696
info@metalart.co.nz
www.metalart.co.nz