

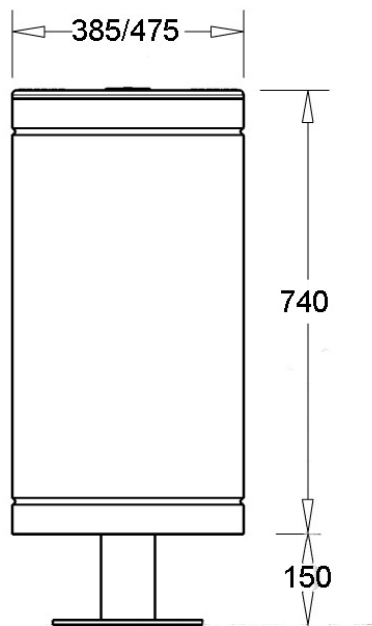
CIVIC BIN INSTALLATION GUIDE

Surface Fixed

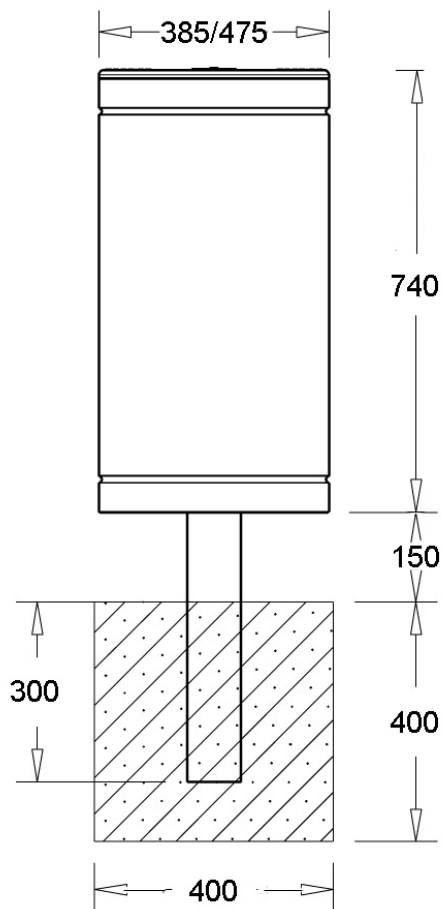
1. Prepare concrete pad to suit base diameter
2. Place bin on concrete and mark hole positions
3. Remove bin and drill holes for M12 dyna bolts or equivalent
4. Insert and secure fixings
5. Place bin over fixings and secure in position

In Ground Fixed

1. Dig hole to take pipe length as shown below
2. Place bin in hole, pour concrete and allow to set



Surface Fixed



In Ground Fixed

