

RESILIENT BOLLARD



Metal Art Limited
Street & Park Furniture

DESCRIPTION

Contemporary 180mm bollard with space between outer tube and internal pipe filled with expanding urethane foam. This enables the bollard to absorb some impact while remaining in place.

CAP

316 stainless steel

OUTER TUBE

180mm dia x 1.6mm wall
Galvanised mild steel

INNER PIPE

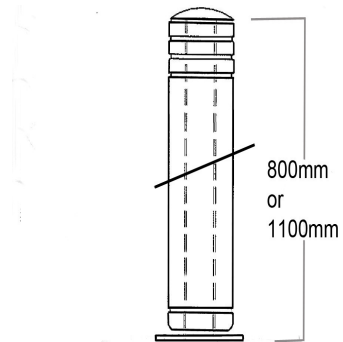
90mm dia x 5mm wall,
hot dip galvanised mild steel

HEIGHT ABOVE GROUND

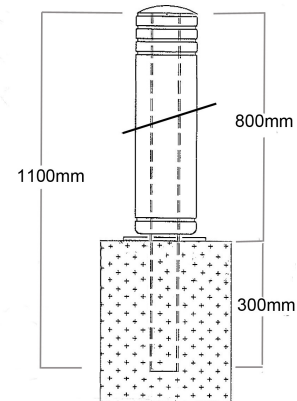
- 800mm
- 1100mm

MOUNTING

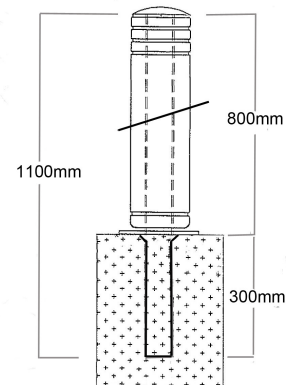
- Surface fixed
- In ground fixed
- Removable with ground socket and locking mechanism



Surface Fixed



In Ground



Removable



Metal Art Ltd

51 Port Road, Seaview
Wellington, New Zealand
Ph +64 4 939-6666
Fax +64 4 939-6696
info@metalart.co.nz
www.metalart.co.nz