

STOKE TABLE



Metal Art Limited
Street & Park Furniture

DESCRIPTION

Contoured 13-slat table with robust galvanised support frame, available powder coated in any standard colour. Optional fixing method and choice of slats.

SLAT DIMENSIONS

Section - 65 x 40mm

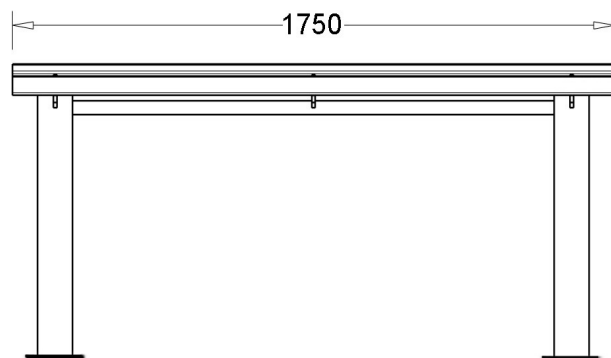
Length - 1750mm

SLAT MATERIAL

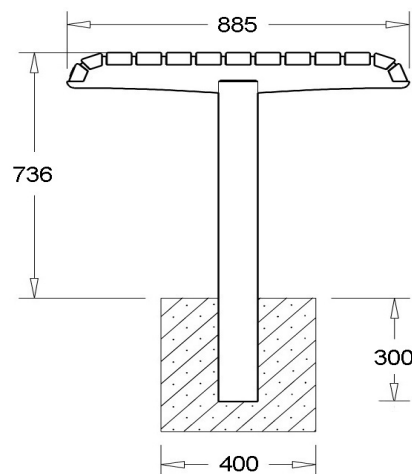
- Timber oiled (Eucalyptus Saligna)
- Mahogany stain (Eucalyptus Saligna)

MOUNTING

- Surface fixed
- In ground fixed



Surface fixed



In ground fixed



Metal Art Ltd

51 Port Road, Seaview
Wellington, New Zealand
Ph +64 4 939-6666
Fax +64 4 939-6696
info@metalart.co.nz
www.metalart.co.nz