

# GOLDEN MILE BOLLARD



Metal Art Limited  
Street & Park Furniture

## DESCRIPTION

The Golden Mile bollard is a heavy duty and highly visible product designed for the busy CBD environment, where clear and precise distinction is needed between pedestrian and vehicle traffic zones.

The Golden Mile is available either surface mounted on a cast iron base, or as a conventional in-ground model. It is supplied with a long-life, hard-wearing finish in the colour of choice.

## BODY AND CAP

Cast iron mounting tray and base, 5mm mild steel body, cast aluminium cap

## HEIGHT ABOVE GROUND

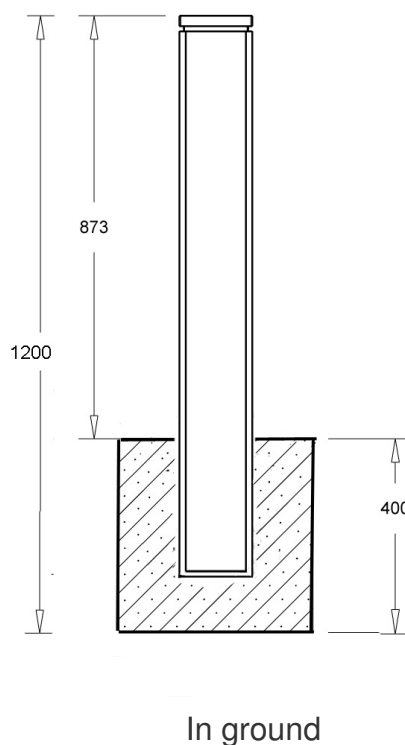
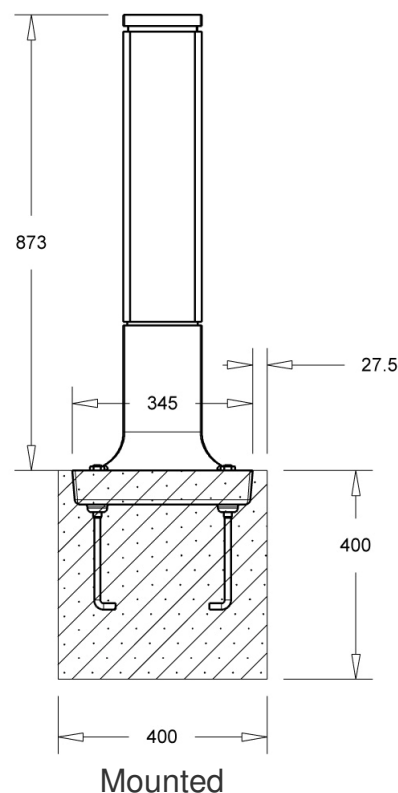
873mm

## WEIGHT

Mounted: 30kg  
In ground: 28kg

## MOUNTING

- In mounting tray secured to concrete base and fixed with 4 x anchor rods.
- In ground fixed



Metal Art Ltd

51 Port Road, Seaview  
Wellington, New Zealand  
Ph +64 4 939-6666  
Fax +64 4 939-6696  
info@metalart.co.nz  
www.metalart.co.nz