

GOLDEN MILE SEAT



Metal Art Limited
Street & Park Furniture

DESCRIPTION

The heavy duty Golden Mile Seat is surface mounted on a cast iron base, with steel frame supporting ten hardwood slats contoured for comfort.

All metal components have a hard wearing and long lasting wet sprayed finish, available in the colour of choice.

SLAT DIMENSIONS

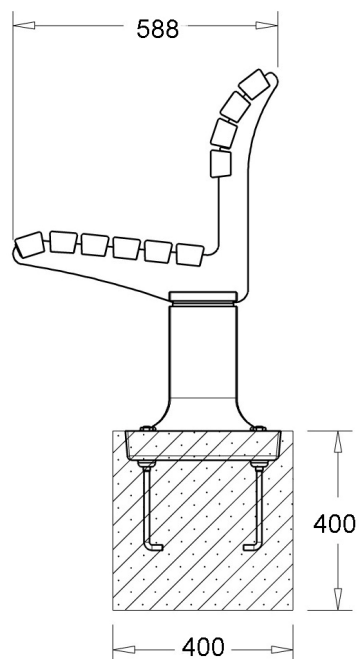
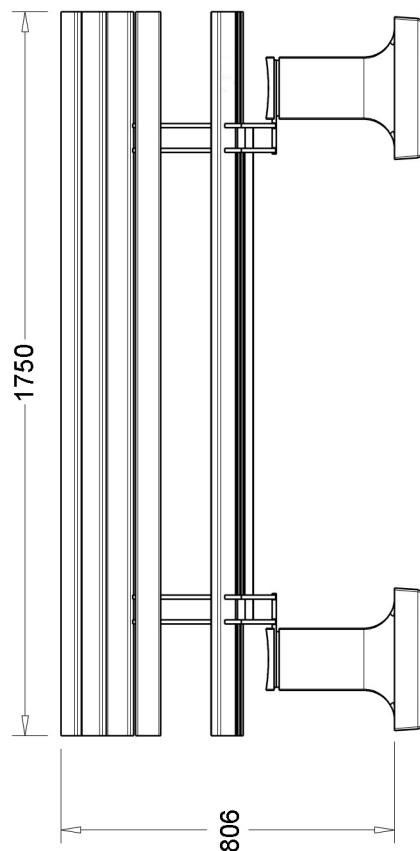
Section - 61 x 45mm shaped
Length - 1750mm

BASE DIMENSIONS

Mounting Tray: 345mm square

SLAT MATERIAL

- Timber oiled (Eucalyptus Saligna)
- Mahogany stain (Eucalyptus Saligna)



Metal Art Ltd

51 Port Road, Seaview
Wellington, New Zealand
Ph +64 4 939-6666
Fax +64 4 939-6696
info@metalart.co.nz
www.metalart.co.nz