

# TREE PROTECTOR



Metal Art Limited  
Street & Park Furniture

## DESCRIPTION

Functional tree protectors for guarding young and growing trees against harm. Easy to remove for use elsewhere once plantings are established.

Available in two designs: The basic Standard with its simple lines and plain rings made from 60 x 5mm mild steel set on edge, and the Delux, with its laser cut ring sections set on their flats and slotted neatly into the legs.

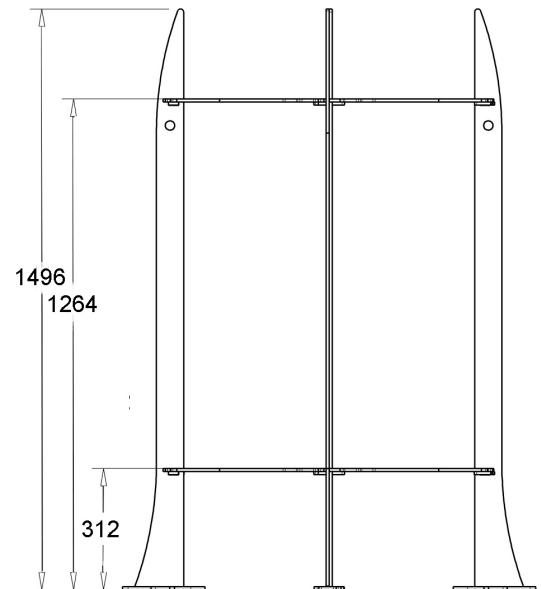
Galvanised mild steel finish is standard. Powder coating available if required.

## DIMENSIONS

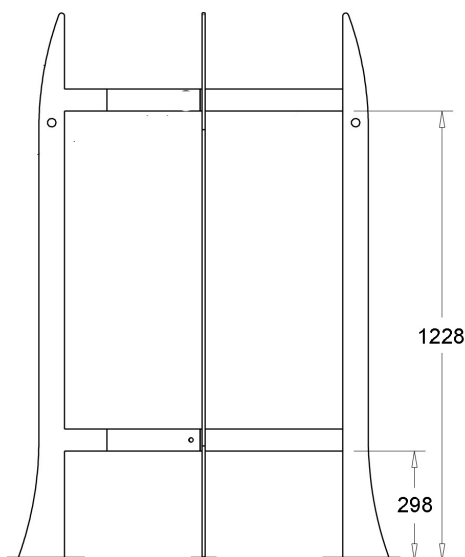
1.5M high overall, with 750mm internal ring diameter.

## MOUNTING

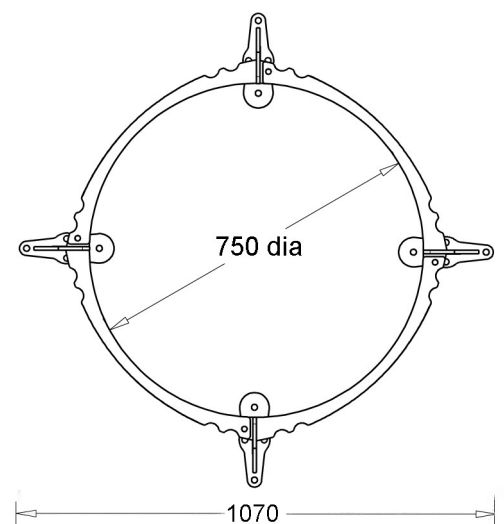
Surface fixed



Tree Protector Delux



Tree Protector Standard



Tree Protector Delux  
Top View



Metal Art Ltd

51 Port Road, Seaview  
Wellington, New Zealand  
Ph +64 4 939-6666  
Fax +64 4 939-6696  
info@metalart.co.nz  
www.metalart.co.nz